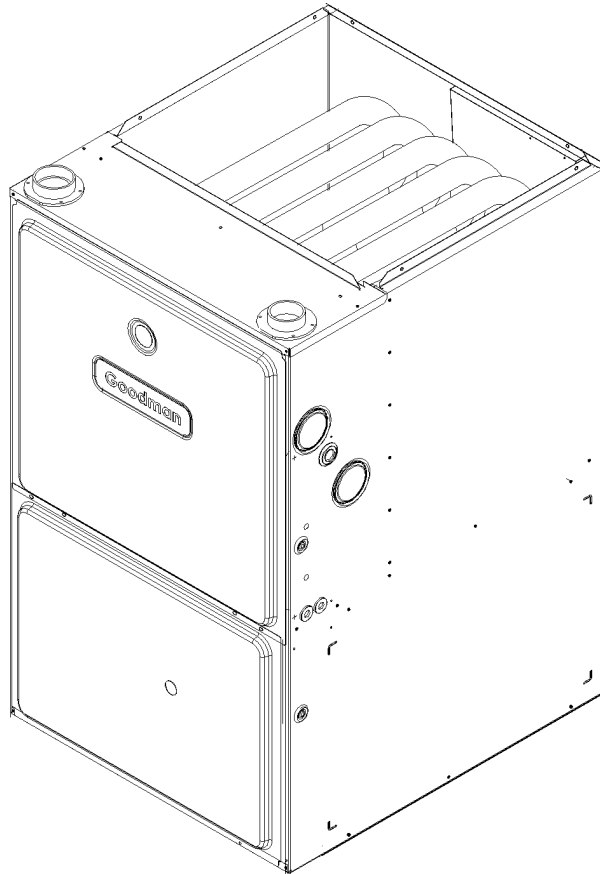


REPAIR PARTS

GKS9 Single Stage PSC Upflow Furnace

GKS90453BXAA
GKS90453BXAB
GKS90453BXAC
GKS90703BXAA
GKS90703BXAB
GKS90703BXAC
GKS90703BXAD
GKS90704CXAA
GKS90704CXAB
GKS90704CXAC
GKS90904CXAA
GKS90904CXAB
GKS90904CXAC
GKS90904CXAD
GKS90904CXAE
GKS90905DXAA
GKS90905DXAB
GKS90905DXAC
GKS91155DXAA
GKS91155DXAB
GKS91155DXAC
GKS91155DXAD



Goodman Manufacturing Company, L.P.
5151 San Felipe, Suite 500
Houston, TX 77056

www.goodmanmfg.com



This manual is to be used by qualified technicians only.

RP-410D
September 2007

This manual replaces RP-410C.
Copyright © 2005-2007 Goodman Manufacturing Company, L.P.

Important Information

Index

Functional Parts List	3
Illustration and Parts	4 - 11

Views shown are for parts illustrations only, not servicing procedures

Rev. D: Added model GKS90904CXAE.

Text Codes:

AR - As Required

NA - Not Available

NS - Not Shown

00000000 - See Note

QTY - Quantity Example (QTY 3) (If Quantity not shown, Quantity = 1)

M - Model Example (M1) (If M Code not shown, then part is used on all Models)

Expanded Model Nomenclature:

Example M1 - Model#1 M2 - Model#2 M3 - Model#3

Goodman Manufacturing Company, L.P. is not responsible for personal injury or property damage resulting from improper service. Review all service information before beginning repairs.

Warranty service must be performed by an authorized technician, using authorized factory parts. If service is required after the warranty expires, Goodman Manufacturing Company, L.P. also recommends contacting an authorized technician and using authorized factory parts.

Goodman Manufacturing Company, L.P. reserves the right to discontinue, or change at any time, specifications or designs without notice or without incurring obligations.

For assistance within the U.S.A. contact:
Consumer Affairs Department
Goodman Manufacturing Company, L.P.
7401 Security Way
Houston, Texas 77040
877-254-4729-Telephone
713-863-2382-Facsimile

For assistance outside the U.S.A. contact:
International Division
Goodman Manufacturing Company, L.P.
7401 Security Way
Houston, Texas 77040
713-861-2500-Telephone
713-863-2382-Facsimile

Cabinet

Image 1

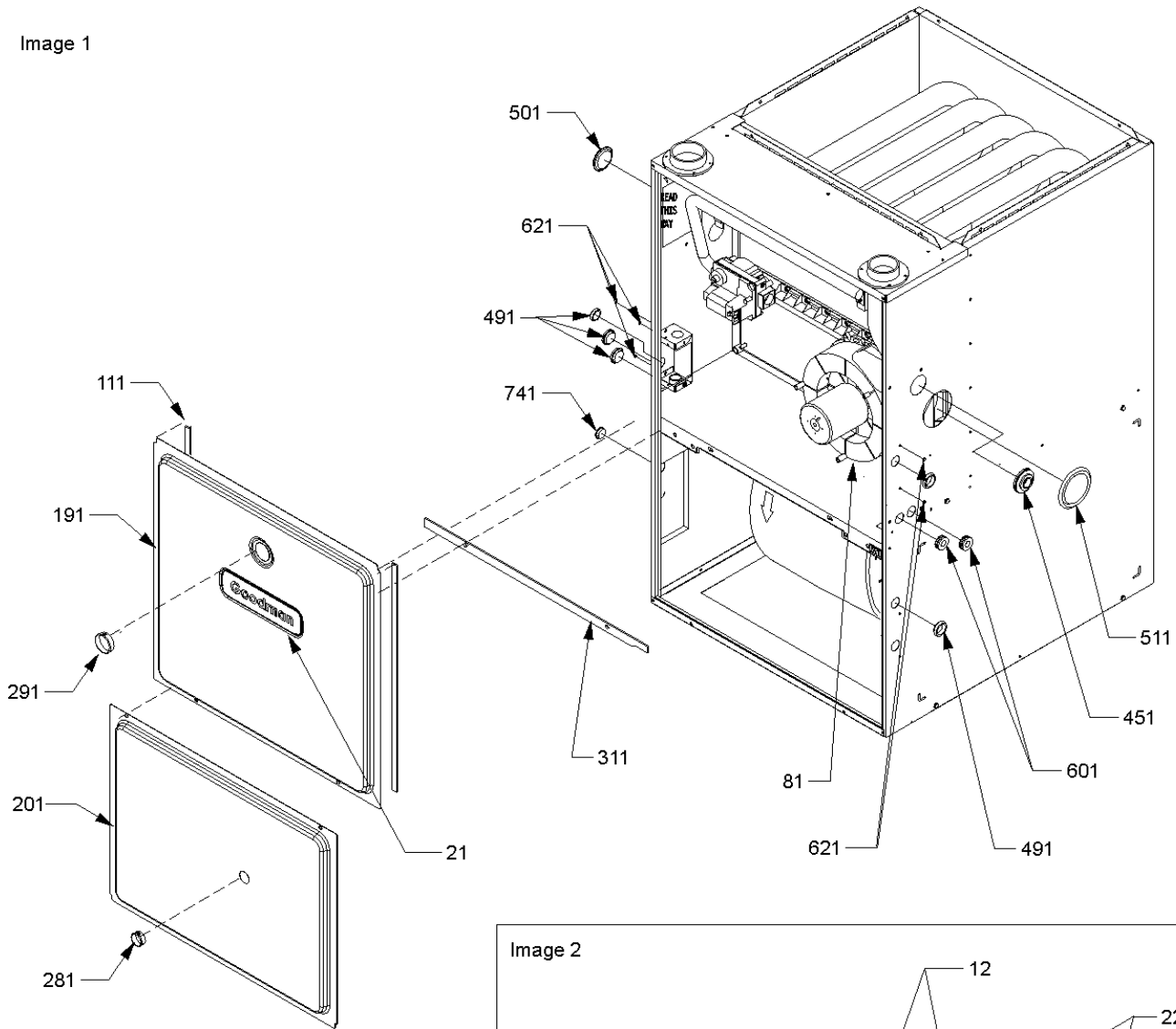
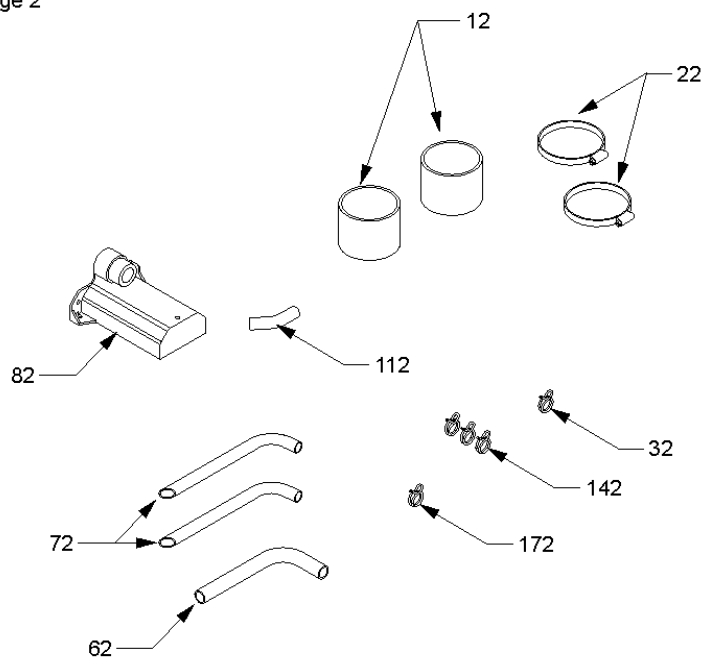


Image 2



Cabinet

Ref Part No:	Description:	Ref. Part No:	Description:
--------------	--------------	---------------	--------------

Image 1:

21	0161F00000P	GOODMAN NAMEPLATE
81	20201902	DRAIN HOSE
111	20179308	GASKET (QTY 2)
191	0121F00072DG	ACCESS DOOR (M1, M2, M3, M4, M5, M6, M7)
191	0121F00073DG	ACCESS DOOR (M10, M13, M14, M15)
191	0121F00074DG	ACCESS DOOR (M16, M17, M18, M19, M20, M21, M22)
191	20523904	ACCESS DOOR (M8, M9, M11, M12)
201	0121F00069DG	BLOWER DOOR (M1, M2, M3, M4, M5, M6, M7)
201	0121F00070DG	BLOWER DOOR (M10, M13, M14, M15)
201	0121F00071DG	BLOWER DOOR (M16, M17, M18, M19, M20, M21, M22)
201	20524004	BLOWER DOOR (M8, M9, M11, M12)
281	B1392139	VIEW PORT BUSHING-BLOWER DOOR (M1, M2, M3, M4, M5, M6, M8, M9, M10, M11, M12, M13, M16, M17, M18, M19, M20, M21)
291	11104002	VIEW PORT BUSHING-ACCESS DOOR (M1, M2, M3, M4, M5, M6, M8, M9, M10, M11, M12, M13, M16, M17, M18, M19, M20, M21)
291	B1392139	VIEW PORT BUSHING-BLOWER & ACCESS DOOR (M7, M14, M15, M22)
311	22320001	DECK GASKET (M1, M2, M3, M4, M5, M6, M7)
311	22320002	DECK GASKET (M8, M9, M10, M11, M12, M13, M14, M15)
311	22320003	DECK GASKET (M16, M17, M18, M19, M20, M21, M22)
451	M0501301	PIPE GROMMET
491	M0570808	PLUG BUTTON (QTY 4)
501	M0570806	PLUG BUTTON
511	M0570807	PLUG BUTTON
601	A4691701	GROMMET (QTY 2)
621	M0310345	PLUG BUTTON (QTY 2)
741	B1392104	UNIVERSAL BUSHING UB 875 (QTY 2)
NS	0270F00399	STANDPIPE BAG ASSY (M2, M3, M5, M6, M7, M9, M10, M12, M13, M14, M15, M17, M18, M20, M21, M22)
NS	10195517Q	STANDPIPE BAG ASSY (M1, M4, M8, M11, M16, M19)
NS	0159F00003	WIRING HARNESS

Expanded Model Nomenclature

M1 - GKS90453BXAA
M2 - GKS90453BXAB
M3 - GKS90453BXAC
M4 - GKS90703BXAA
M5 - GKS90703BXAB
M6 - GKS90703BXAC
M7 - GKS90703BXAD
M8 - GKS90704CXAA
M9 - GKS90704CXAB
M10 - GKS90704CXAC
M11 - GKS90904CXAA
M12 - GKS90904CXAB
M13 - GKS90904CXAC
M14 - GKS90904CXAD
M15 - GKS90904CXAE
M16 - GKS90905DXAA
M17 - GKS90905DXAB
M18 - GKS90905DXAC
M19 - GKS91155DXAA
M20 - GKS91155DXAB
M21 - GKS91155DXAC
M22 - GKS91155DXAD

Image 2:

12	10254303	RUBBER COUPLING
22	A3326002	HOSE CLAMP (QTY 2)
32	M0119207	HOSE CLAMP
62	20201901	DRAIN HOSE
72	20201802	DRAIN TUBE (QTY 2)
82	20171701	DRAIN TRAP
112	20214203	DRAIN ANGLE
142	M0119205	HOSE CLAMP (QTY 3)
172	M0119206	HOSE CLAMP

Blower Assembly

Image 1

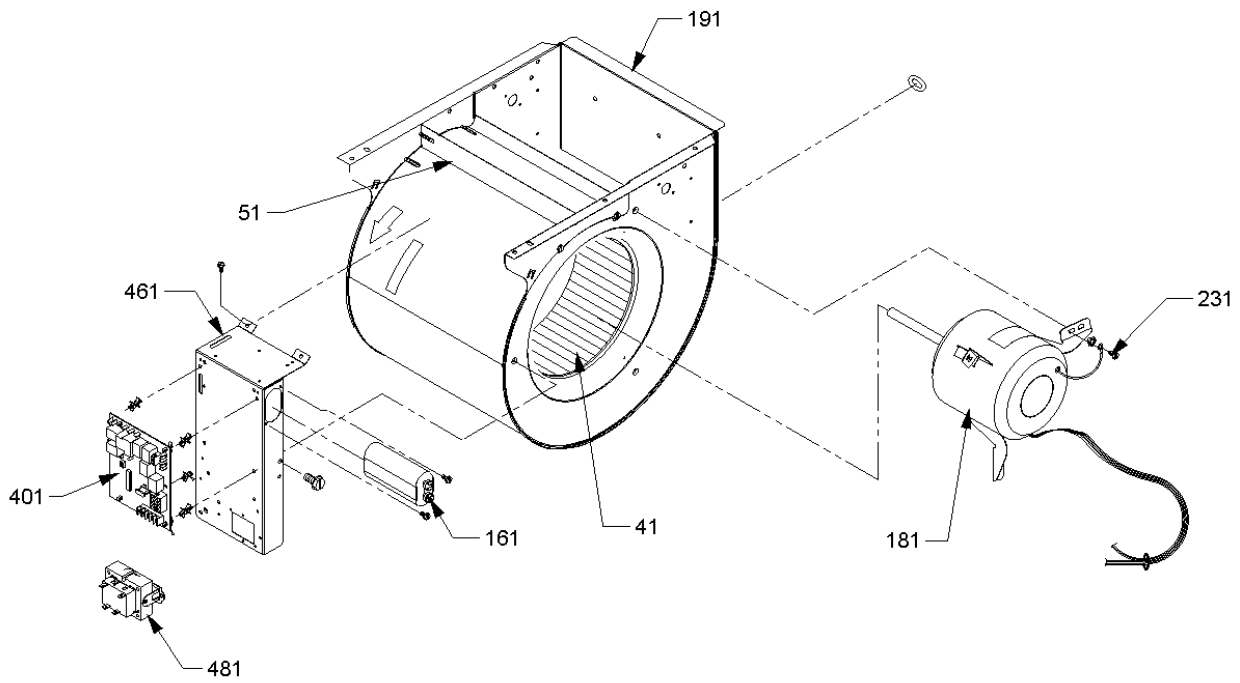
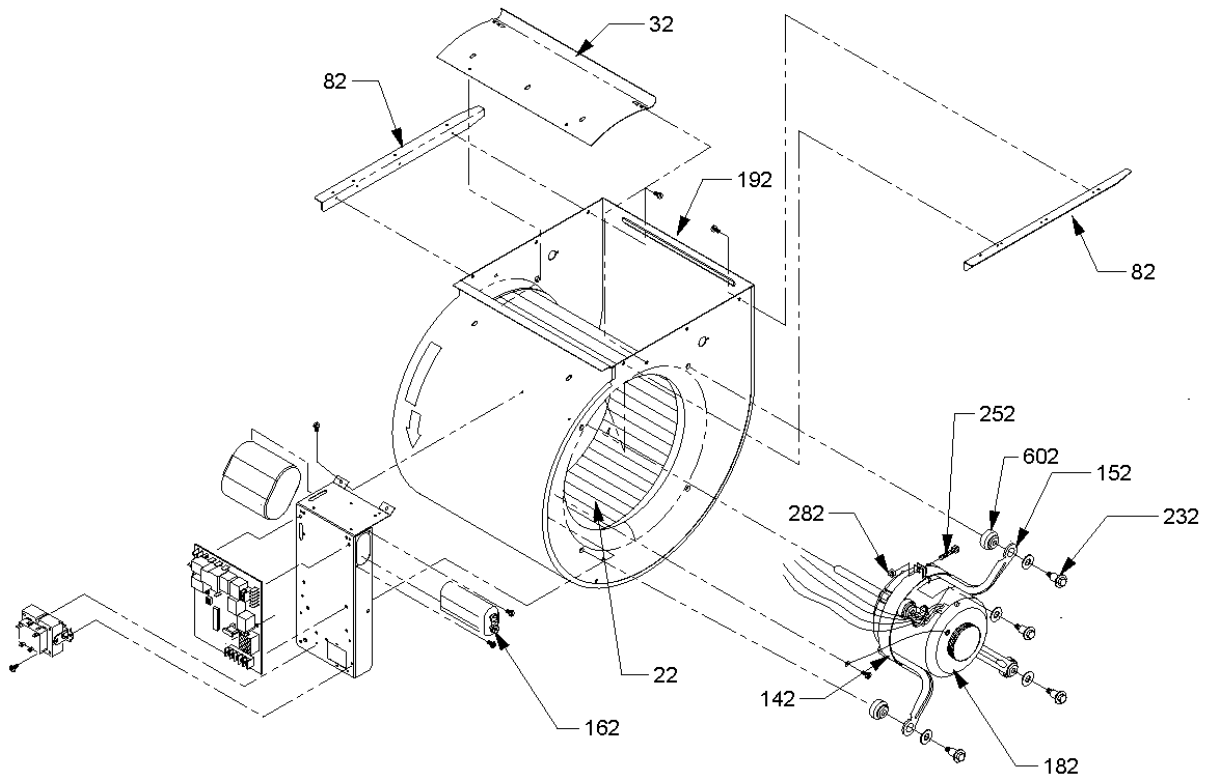


Image 2



Blower Assembly

Ref Part No:	Description:	Ref. Part No:	Description:
--------------	--------------	---------------	--------------

Image 1:

41	B1368047A	BLOWER WHEEL 10 X 10 (M8, M9, M10, M11, M12, M13, M14, M15)
41	B1368058S	BLOWER WHEEL 10 X 8 (M1, M2, M3, M4, M5, M6, M7)
51	764741F	BLOWER BLOCK-OFF 10 X 10 (M8, M9, M10, M11, M12, M13, M14, M15)
51	764740F	BLOWER BLOCK-OFF 10 X 8 (M1, M2, M3, M4, M5, M6, M7)
161	CAP125000370RPSCAPACITOR (M1, M4)	
161	CAP200000370VASCAPACITOR (M8, M9, M10, M11, M12, M13, M14, M15)	
161	CAP125000370VASCAPACITOR 12.5/370V (M2, M3, M5, M6, M7)	
181	B1340024S	MOTOR 1/2 HP, 4 SP, 6 PL (M8, M9, M10, M11, M12, M13, M14, M15)
181	B1340025S	MOTOR 1/3 HP, 4 SP, 6 PL (M1, M2, M3, M4, M5, M6, M7)
191	0271F00003P	BLOWER HOUSING ASSY 10 X 10 (M8, M9, M10, M11, M12, M13, M14, M15)
191	0271F00000P	BLOWER HOUSING ASSY 10 X 8 (M1, M2, M3, M4, M5, M6, M7)
231	M0250558	TC SCREW H (M1, M2, M3, M4, M5, M6, M7, M8, M9, M10, M11, M12, M13, M14, M15)
401	PCBBF112S	INTEGRATED CONTROL
461	0121F00025P	CONTROL BRACKET
481	B1141605	TRANSFORMER 120V TO 24V, 40VA

Expanded Model Nomenclature

M1 - GKS90453BXAA
M2 - GKS90453BXAB
M3 - GKS90453BXAC
M4 - GKS90703BXAA
M5 - GKS90703BXAB
M6 - GKS90703BXAC
M7 - GKS90703BXAD
M8 - GKS90704CXAA
M9 - GKS90704CXAB
M10 - GKS90704CXAC
M11 - GKS90904CXAA
M12 - GKS90904CXAB
M13 - GKS90904CXAC
M14 - GKS90904CXAD
M15 - GKS90904CXAE
M16 - GKS90905DXAA
M17 - GKS90905DXAB
M18 - GKS90905DXAC
M19 - GKS91155DXAA
M20 - GKS91155DXAB
M21 - GKS91155DXAC
M22 - GKS91155DXAD

Image 2:

22	D6723311S	BLOWER WHEEL (M16, M17, M18, M19, M20, M21, M22)
32	C6121807	BLOWER CUT-OFF (M16, M17, M18, M19, M20, M21, M22)
82	20175101	BLOWER SIDE RAIL (M16, M17, M18, M19, M20, M21, M22)
142	10441601	MOTOR MOUNT BAND (M16, M17, M18, M19, M20, M21, M22)
152	10441501	MOTOR MOUNT ARM (M16, M17, M18, M19, M20, M21, M22)
162	CAP150000370VASCAPACITOR 15/370V (M16, M17, M18, M19, M20, M21, M22)	
182	10759415S	MOTOR 3/4 HP, 4 SP, 8 PL (M16, M17, M18, M19, M20, M21, M22)
192	0271F00048	BLOWER HOUSING ASSY 11X10 (M16, M17, M18, M19, M20, M21, M22)
232	M0221461	TC SCREW (M16, M17, M18, M19, M20, M21, M22)
252	M0267144	MACHINE SCREW (M16, M17, M18, M19, M20, M21, M22)
282	M0282015	KEPS NUT (M16, M17, M18, M19, M20, M21, M22)
602	A4002701	GROMMET (M16, M17, M18, M19, M20, M21, M22)

Chassis

Image 1

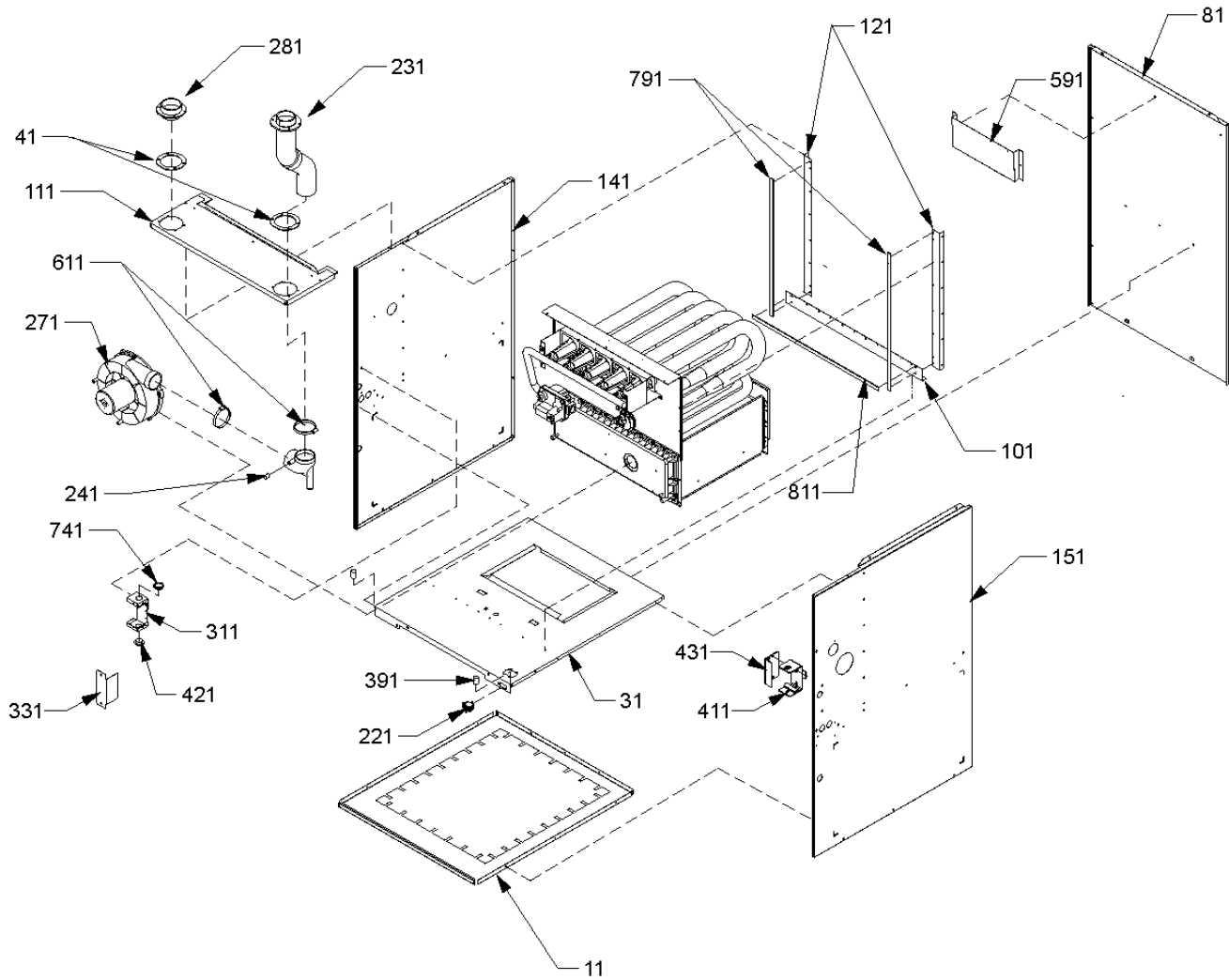
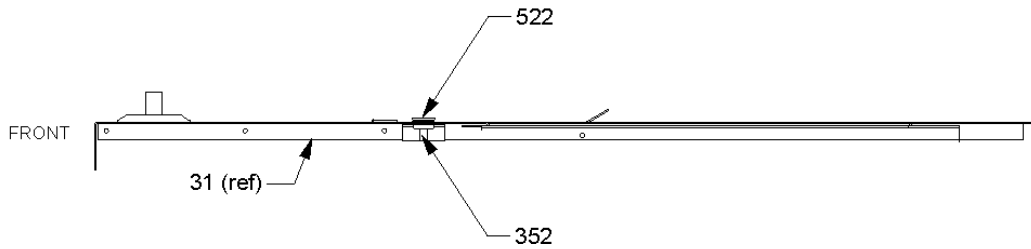


Image 2



Chassis

Ref Part No:	Description:	Ref. Part No:	Description:
<i>Image 1:</i>		741 B1392104	UNIVERSAL BUSHING UB 875 (QTY 2)
11 0121F00050DG	BASEPAN (M1, M2, M3, M4, M5, M6, M7)	791 20194608	GASKET (QTY 2)
11 0121F00051DG	BASEPAN (M8, M9, M10, M11, M12, M13, M14, M15)	811 20194605	GASKET (M1, M2, M3, M4, M5, M6, M7)
11 0121F00052DG	BASEPAN (M16, M17, M18, M19, M20, M21, M22)	811 20194606	GASKET (M8, M9, M10, M11, M12, M13, M14, M15)
31 0121F00043	BLOWER DECK 17.5" (M1, M2, M3, M4, M5, M6, M7)	811 20194607	GASKET (M16, M17, M18, M19, M20, M21, M22)
31 0121F00045	BLOWER DECK 20" (M8, M9, M10, M11, M12, M13, M14, M15)	NS 0164M00009	PRESSURE SWITCH HOSE (M2, M3, M5, M6, M7, M9, M10, M12, M13, M14, M15, M17, M18, M20, M21, M22)
31 0121F00048	BLOWER DECK 24.5" (M16, M17, M18, M19, M20, M21, M22)	NS 22323705	PRESSURE SWITCH HOSE (M1, M4, M8, M11, M16, M19)
41 0154F00000P	GASKET (M1, M2, M3, M4, M5, M6, M7)	<i>Image 2:</i>	
41 0154F00001P	GASKET (M8, M9, M10, M11, M12, M13, M14, M15)	352 10861101	AUXILIARY LIMIT BRACKET
41 0154F00002P	GASKET (M16, M17, M18, M19, M20, M21, M22)	522 10123519	MANUAL RESET AUXILIARY LIMIT (M19, M20, M21, M22)
81 20273208	BACK PANEL (M1, M2, M3, M4, M5, M6, M7)	522 10123535	MANUAL RESET AUXILIARY LIMIT (M1, M2, M3, M4, M5, M6, M7, M8, M9, M10, M11, M12, M13, M14, M15, M16, M17, M18)
81 20273210	BACK PANEL (M8, M9, M10, M11, M12, M13, M14, M15)	Expanded Model Nomenclature	
81 20273212	BACK PANEL (M16, M17, M18, M19, M20, M21, M22)	M1 - GKS90453BXAA M2 - GKS90453BXAB M3 - GKS90453BXAC M4 - GKS90703BXAA M5 - GKS90703BXAB M6 - GKS90703BXAC M7 - GKS90703BXAD M8 - GKS90704CXAA M9 - GKS90704CXAB M10 - GKS90704CXAC M11 - GKS90904CXAA M12 - GKS90904CXAB M13 - GKS90904CXAC M14 - GKS90904CXAD M15 - GKS90904CXAE M16 - GKS90905DXAA M17 - GKS90905DXAB M18 - GKS90905DXAC M19 - GKS91155DXAA M20 - GKS91155DXAB M21 - GKS91155DXAC M22 - GKS91155DXAD	
101 0121F00018P	DECK RAIL (M1, M2, M3, M4, M5, M6, M7)		
101 0121F00019P	DECK RAIL (M8, M9, M10, M11, M12, M13, M14, M15)		
101 20191303	DECK RAIL (M16, M17, M18, M19, M20, M21, M22)		
111 0270F00001PS	TOP COVER ASSY (M8, M9, M10, M11, M12, M13, M14, M15)		
111 0270F00002PS	TOP COVER ASSY (M16, M17, M18, M19, M20, M21, M22)		
111 0270F00100PS	TOP COVER ASSY (M1, M2, M3, M4, M5, M6, M7)		
121 20191602	SIDE RAIL (M1, M2, M3, M4, M5, M6, M7)		
121 20191603	SIDE RAIL (M8, M9, M10, M11, M12, M13, M14, M15)		
121 20191604	SIDE RAIL (M16, M17, M18, M19, M20, M21, M22)		
141 0121F00092DG	LEFT SIDE PANEL		
151 0121F00090DG	RIGHT SIDE PANEL		
221 B1370818	INTERLOCK SWITCH		
231 22309501	FLUE PIPE		
241 20171802	ELBOW		
271 22307501S	ID BLOWER		
281 20049701	FA COUPLING		
311 10736102	HIGH VOLTAGE BOX (M1, M2, M3, M4, M5, M6, M7, M8, M9, M10, M11, M12, M13, M14, M16, M17, M18, M19, M20, M21, M22)		
331 10736201	COVER, HIGH VOLTAGE BOX (M1, M2, M3, M4, M5, M6, M7, M8, M9, M10, M11, M12, M13, M14, M16, M17, M18, M19, M20, M21, M22)		
391 M0275521	PLASTIC SEALER (M19, M20, M21, M22)		
411 0161F00004	JUNCTION BOX (M15)		
421 A4554801	SNAP BUSHING (M1, M2, M3, M4, M5, M6, M7, M8, M9, M10, M11, M12, M13, M14, M16, M17, M18, M19, M20, M21, M22)		
431 0161F00005	JUNCTION BOX COVER (M15)		
591 11165107	ID BLOWER SHIELD		
611 A3326002	HOSE CLAMP (QTY 2)		

Heat Exchanger/Manifold/Gas Valve

Ref Part No:	Description:	Ref. Part No:	Description:
<i>Image 1:</i>		371 20162903	PRIMARY LIMIT (M4, M5, M6, M7, M8, M9, M10, M16, M17, M18)
11 20165703S	IGNITOR (M1, M2, M3, M4, M5, M6, M7, M9, M10, M11, M12, M13, M14, M15, M17, M18, M19, M20, M21, M22)	371 20162904	PRIMARY LIMIT (M1, M2, M3, M11, M12, M13, M14, M15)
11 11111701	IGNITOR-SINI (M8, M16)	371 20162906	PRIMARY LIMIT (M19, M20, M21, M22)
21 B1282628	GAS VALVE 36G	381 0130F00000P	PRESSURE SWITCH (M5, M6, M7, M9, M10, M20, M21, M22)
31 10716003	ORIFICE (QTY 2)	381 0130F00001P	PRESSURE SWITCH (M2, M3, M12, M13, M14)
41 0130F00010	FLAME SENSOR (M2, M3, M5, M6, M7, M9, M10, M12, M13, M14, M15, M17, M18, M20, M21, M22)	381 0130F00002P	PRESSURE SWITCH (M15)
41 20488501	FLAME SENSOR (M1, M4, M8, M11, M16, M19)	381 0130F00004	PRESSURE SWITCH (M4, M17, M18)
51 10123533	MANUAL RESET LIMIT	381 20197310	PRESSURE SWITCH (M11, M19)
61 20196401	MANIFOLD 2BU (M1, M2, M3)	381 20197312	PRESSURE SWITCH (M1, M8, M16)
61 20196402	MANIFOLD 3BU (M4, M5, M6, M7, M8, M9, M10)	Expanded Model Nomenclature	
61 20196403	MANIFOLD 4BU (M11, M12, M13, M14, M15, M16, M17, M18)	M1 - GKS90453BXAA M2 - GKS90453BXAB M3 - GKS90453BXAC M4 - GKS90703BXAA M5 - GKS90703BXAB M6 - GKS90703BXAC M7 - GKS90703BXAD M8 - GKS90704CXAA M9 - GKS90704CXAB M10 - GKS90704CXAC M11 - GKS90904CXAA M12 - GKS90904CXAB M13 - GKS90904CXAC M14 - GKS90904CXAD M15 - GKS90904CXAE M16 - GKS90905DXAA M17 - GKS90905DXAB M18 - GKS90905DXAC M19 - GKS91155DXAA M20 - GKS91155DXAB M21 - GKS91155DXAC M22 - GKS91155DXAD	
61 20196404	MANIFOLD 5BU (M19, M20, M21, M22)		
71 10735102S	BECKETT BURNER (QTY 2)		
81 0257F00143S	HEAT EXCHANGER ASSY 2B (M1, M3)		
81 0257F00174S	HEAT EXCHANGER ASSY 2B (M2, M5, M9, M12, M17, M19, M20, M21, M22)		
81 0257F00146S	HEAT EXCHANGER ASSY 3B (M8, M10)		
81 0257F00172S	HEAT EXCHANGER ASSY 3B (M4, M6, M7)		
81 0257F00140S	HEAT EXCHANGER ASSY 4B (M16, M18)		
81 0257F00173S	HEAT EXCHANGER ASSY 4B (M11, M13, M14, M15)		
91 20190410	BURNER BRACKET 2B (M1, M2, M3)		
91 20190411	BURNER BRACKET 3B (M4, M5, M6, M7, M8, M9, M10)		
91 20190412	BURNER BRACKET 4B (M11, M12, M13, M14, M15, M16, M17, M18)		
91 20190413	BURNER BRACKET 5B (M19, M20, M21, M22)		
131 20170801AS	FRONT COVER (M1)		
131 20170802AS	FRONT COVER (M4)		
131 20170807AS	FRONT COVER (M2, M3)		
131 20170808AS	FRONT COVER (M5, M6, M7)		
131 20170901AS	FRONT COVER (M8, M9, M10)		
131 20170902AS	FRONT COVER (M11)		
131 20170904AS	FRONT COVER (M12, M13, M14, M15)		
131 20171001AS	FRONT COVER (M16, M17, M18)		
131 20171002AS	FRONT COVER (M19, M20, M21, M22)		
141 0154F00000P	GASKET (M1, M2, M3, M4, M5, M6, M7)		
141 0154F00001P	GASKET (M8, M9, M10, M11, M12, M13, M14, M15)		
141 0154F00002P	GASKET (M16, M17, M18, M19, M20, M21, M22)		
161 M0326804	TUBE PLUG (QTY AR)		
321 11072201	ORIFICE SHIELD (M1, M2, M3)		
321 11072202	ORIFICE SHIELD (M4, M5, M6, M7, M8, M9, M10)		
321 11072203	ORIFICE SHIELD (M11, M12, M13, M14, M15, M16, M17, M18)		
321 11072204	ORIFICE SHIELD (M19, M20, M21, M22)		